

CONTACTOR, AC-3 5.5 KW/400 V, AC 110 V, 50 HZ, 3-POLE, SIZE S0, SCREW CONNECTION



Figure similar

product brand name	SIRIUS
Product designation	power contactor

General technical data:

Size of contactor	S0
Protection class IP	
<ul style="list-style-type: none"> • on the front • of the terminal 	IP20 IP20
Degree of pollution	3
Mechanical service life (switching cycles)	
<ul style="list-style-type: none"> • of the contactor typical • of the contactor with added electronics-compatible auxiliary switch block typical • of the contactor with added auxiliary switch block typical 	10 000 000 5 000 000 10 000 000

Ambient conditions:

Installation altitude at height above sea level maximum	2 000 m
Ambient temperature	
<ul style="list-style-type: none"> • during operation 	-25 ... +60 °C

Main circuit:	
Number of NO contacts for main contacts	3
Number of NC contacts for main contacts	0
Operating current	
<ul style="list-style-type: none"> • at AC-1 at 400 V <ul style="list-style-type: none"> — at ambient temperature 40 °C Rated value • at AC-1 up to 690 V <ul style="list-style-type: none"> — at ambient temperature 40 °C Rated value — at ambient temperature 60 °C Rated value • at AC-3 <ul style="list-style-type: none"> — at 400 V Rated value 	<p>40 A</p> <p>40 A</p> <p>35 A</p> <p>12 A</p>
Operating current	
<ul style="list-style-type: none"> • at 1 current path at DC-1 <ul style="list-style-type: none"> — at 24 V Rated value — at 110 V Rated value • with 2 current paths in series at DC-1 <ul style="list-style-type: none"> — at 24 V Rated value — at 110 V Rated value • with 3 current paths in series at DC-1 <ul style="list-style-type: none"> — at 24 V Rated value — at 110 V Rated value 	<p>35 A</p> <p>4.5 A</p> <p>35 A</p> <p>35 A</p> <p>35 A</p> <p>35 A</p>
Operating current	
<ul style="list-style-type: none"> • at 1 current path at DC-3 at DC-5 <ul style="list-style-type: none"> — at 24 V Rated value — at 110 V Rated value • with 2 current paths in series at DC-3 at DC-5 <ul style="list-style-type: none"> — at 110 V Rated value — at 24 V Rated value • with 3 current paths in series at DC-3 at DC-5 <ul style="list-style-type: none"> — at 110 V Rated value — at 24 V Rated value 	<p>20 A</p> <p>2.5 A</p> <p>15 A</p> <p>35 A</p> <p>35 A</p> <p>35 A</p>
Operating power	
<ul style="list-style-type: none"> • at AC-1 <ul style="list-style-type: none"> — at 400 V Rated value • at AC-2 at 400 V Rated value • at AC-3 <ul style="list-style-type: none"> — at 400 V Rated value — at 500 V Rated value — at 690 V Rated value 	<p>23 kW</p> <p>5.5 kW</p> <p>5.5 kW</p> <p>7.5 kW</p> <p>7.5 kW</p>
Active power loss at AC-3 at 400 V for rated value of the operating current per conductor	0.5 W

Control circuit/ Control:	
Type of voltage of the control supply voltage	AC
Control supply voltage at AC	
<ul style="list-style-type: none"> • at 50 Hz Rated value • Rated value 	110 V 50 Hz
Operating range factor control supply voltage rated value of the magnet coil at AC	
<ul style="list-style-type: none"> • at 50 Hz 	0.8 ... 1.1
Apparent pick-up power of the magnet coil at AC	61 V·A
Inductive power factor with closing power of the coil	0.82
Apparent holding power of the magnet coil at AC	7.8 V·A
Inductive power factor with the holding power of the coil	0.24

Auxiliary circuit:	
Number of NC contacts	
<ul style="list-style-type: none"> • for auxiliary contacts <ul style="list-style-type: none"> — instantaneous contact 	0
Number of NO contacts	
<ul style="list-style-type: none"> • for auxiliary contacts <ul style="list-style-type: none"> — instantaneous contact 	0
Operating current at AC-12 maximum	10 A
Operating current at AC-15	
<ul style="list-style-type: none"> • at 230 V Rated value • at 400 V Rated value 	6 A 3 A
Operating current at DC-12	
<ul style="list-style-type: none"> • at 60 V Rated value • at 110 V Rated value • at 220 V Rated value 	6 A 3 A 1 A
Operating current at DC-13	
<ul style="list-style-type: none"> • at 24 V Rated value • at 60 V Rated value • at 110 V Rated value • at 220 V Rated value 	10 A 2 A 1 A 0.3 A
Contact reliability of the auxiliary contacts	1 faulty switching per 100 million (17 V, 1 mA)

Short-circuit:	
Design of the fuse link	
<ul style="list-style-type: none"> • for short-circuit protection of the main circuit <ul style="list-style-type: none"> — with type of assignment 1 required — with type of assignment 2 required • for short-circuit protection of the auxiliary switch required 	fuse gL/gG: 63 A fuse gL/gG: 25 A fuse gL/gG: 10 A

Installation/ mounting/ dimensions:

Mounting type	screw and snap-on mounting onto 35 mm standard mounting rail according to DIN EN 50022
<ul style="list-style-type: none"> • Side-by-side mounting 	Yes
Height	85 mm
Width	45 mm
Depth	91 mm
Required spacing	
<ul style="list-style-type: none"> • for grounded parts <ul style="list-style-type: none"> — at the side 	6 mm

Certificates/ approvals:

General Product Approval	Functional Safety/Safety of Machinery	Declaration of Conformity
---------------------------------	--	----------------------------------



[Baumusterbescheinigung](#)



Test Certificates	Shipping Approval
--------------------------	--------------------------

[Typprüfbescheinigung/Werkszeugnis](#)

[spezielle Prüfbescheinigung](#)



Shipping Approval	other
--------------------------	--------------



[Bestätigungen](#)

[Umweltbestätigung](#)

[sonstig](#)

Further information

Information- and Downloadcenter (Catalogs, Brochures,...)

<http://www.siemens.com/industrial-controls/catalogs>

Industry Mall (Online ordering system)

<http://www.siemens.com/industrymall>

Cax online generator

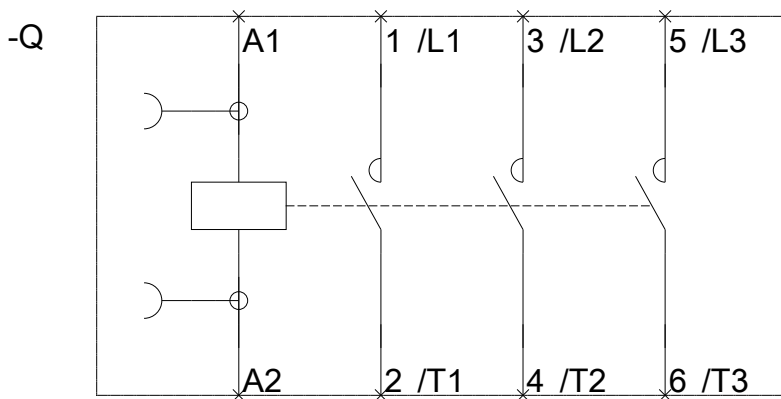
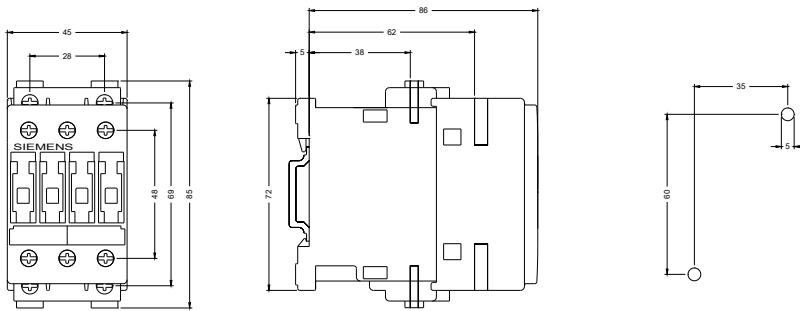
<http://support.automation.siemens.com/WW/CAXorder/default.aspx?lang=en&mlfb=3RT10241AF00>

Service&Support (Manuals, Certificates, Characteristics, FAQs,...)

<https://support.industry.siemens.com/cs/ww/en/ps/3RT10241AF00>

Image database (product images, 2D dimension drawings, 3D models, device circuit diagrams, EPLAN macros, ...)

http://www.automation.siemens.com/bilddb/cax_de.aspx?mlfb=3RT10241AF00&lang=en



last modified:

31.07.2015